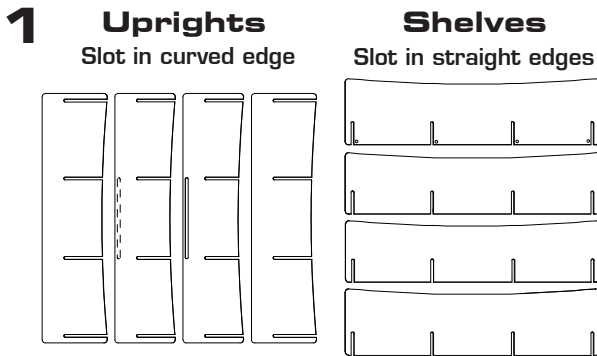
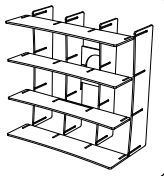
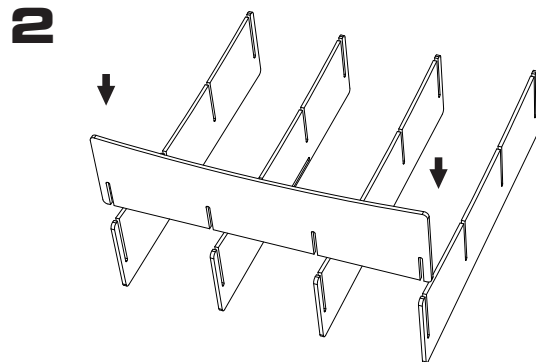


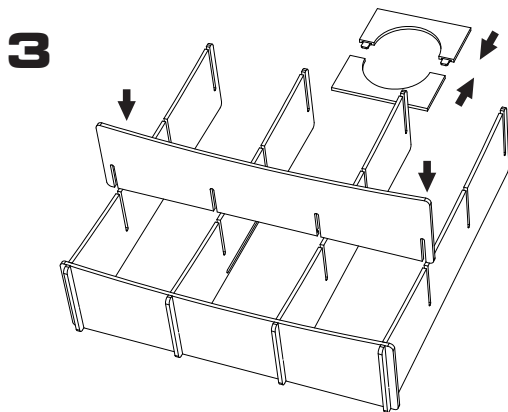
LP Shelf Assembly



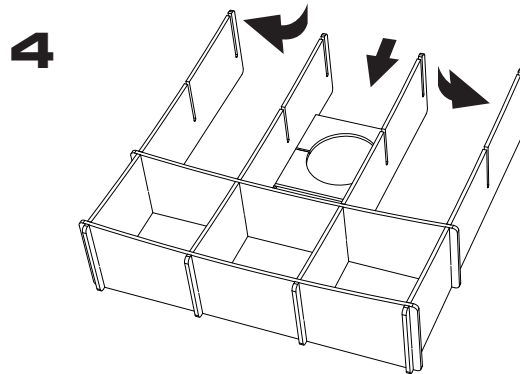
The wider shelves are placed at the top and bottom, and the wider uprights are placed at the left and right. The narrow parts are placed in the centre. The holes in the top shelf face downwards and are for wall mounting. If the shelves are left free standing use this shelf as the bottom.



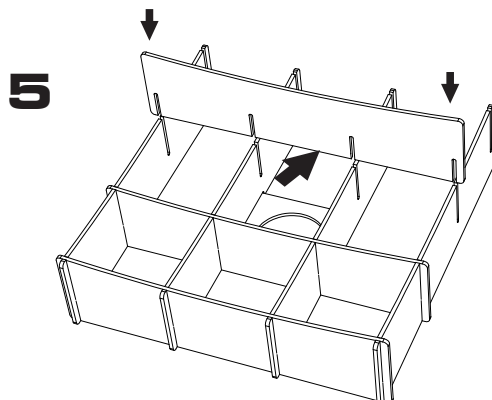
On a flat floor, preferably a carpet line up the uprights and slot in the bottom shelf. Ensure the slots in the two central uprights are facing each other.



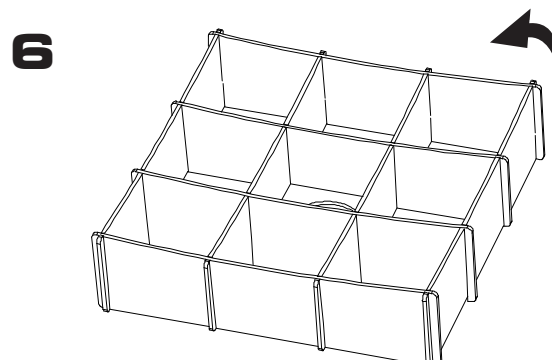
Add the second shelf. Slide the two stiffener pieces together.



Splay apart the central uprights using gentle pressure and ease the stiffener into the slots as indicated.



Now, add the third shelf. Make sure that the stiffener is fully in, or it may prevent this shelf from being inserted. Press where indicated to ease the shelf if necessary.



Slot the final shelf into place and stand the unit upright.