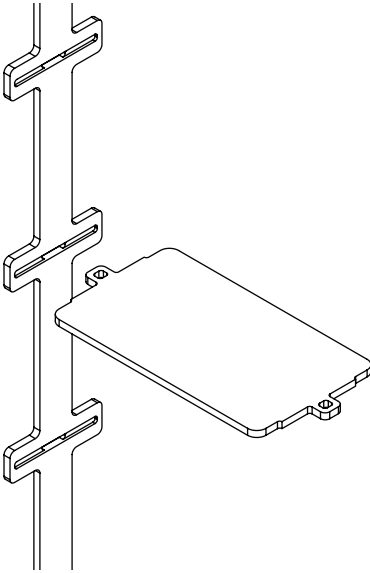


# Lean Shelf Assembly

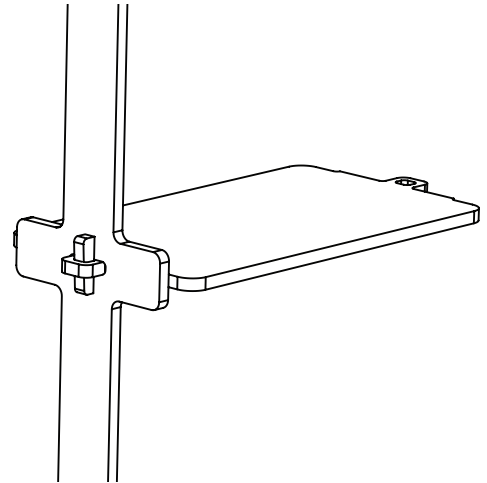
## Step 1

You will notice the grooves inside the side profiles. Insert all the shelves on one side, and press firmly.



## Step 2

Once the shelves are in on the first side, insert the pegs to keep them in place.



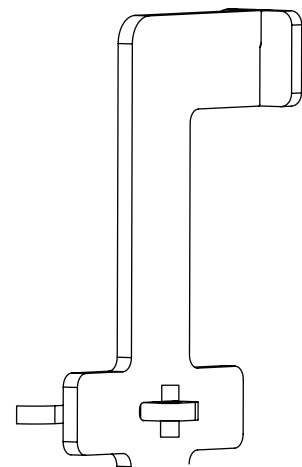
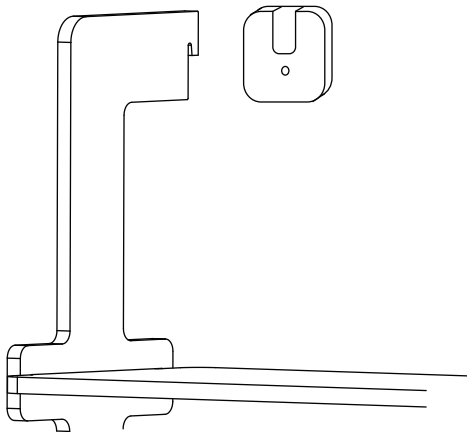
## Step 3

Repeat this process on the other side.

If you have a Lean Shelf Square then you will need to attach it to the wall.

## Step 4

Screw the wall attachments into the wall.



## Step 5

Hook the shelf into place.