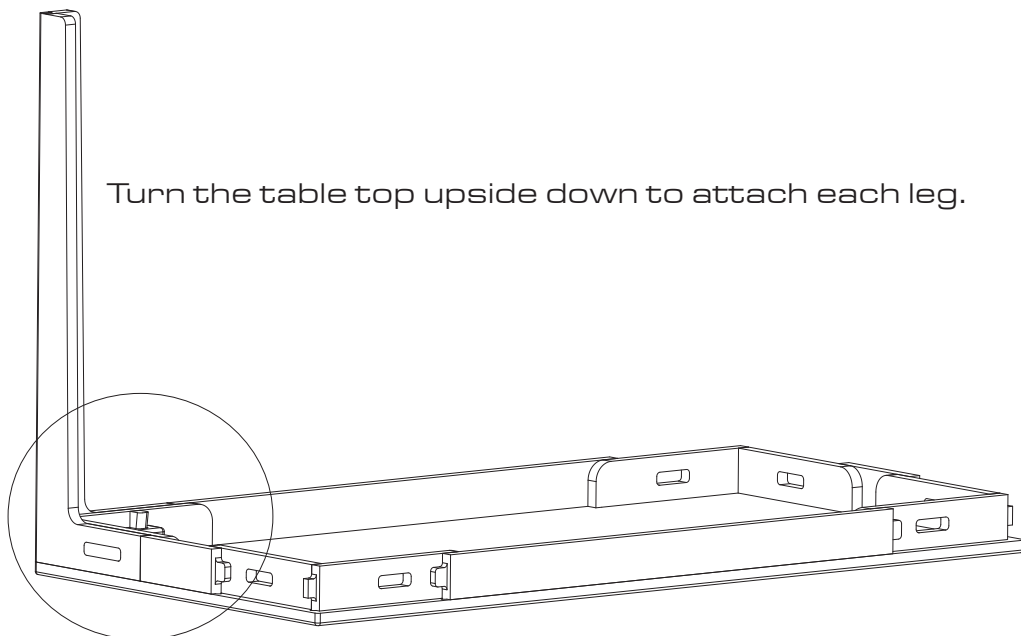


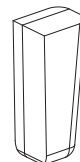
Linchpin Table & Console Assembly

Turn the table top upside down to attach each leg.

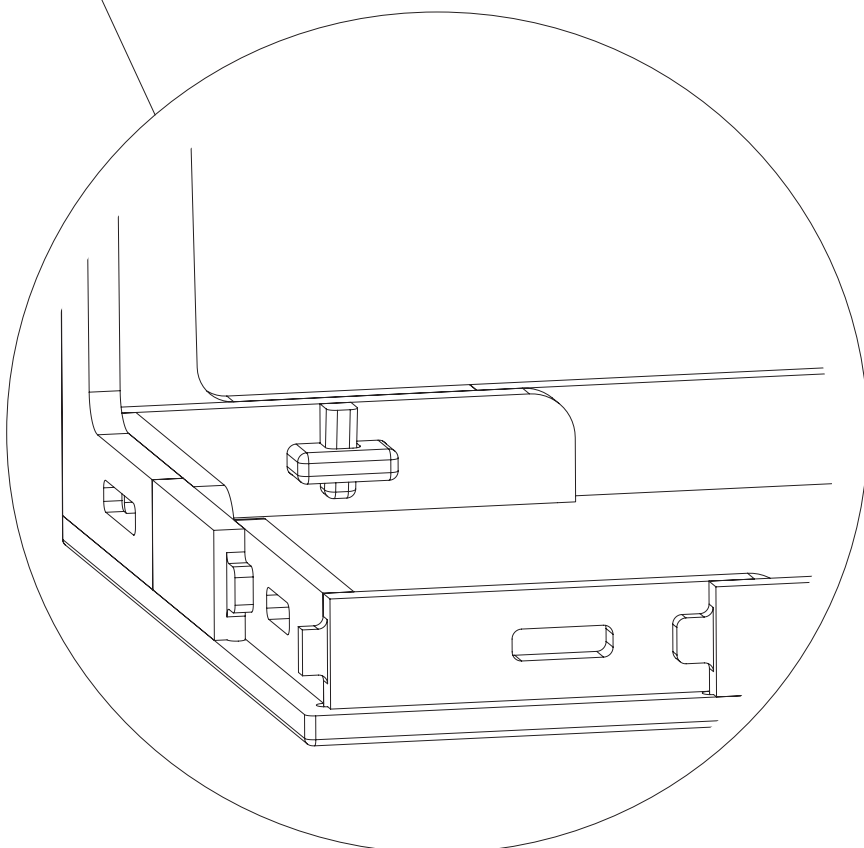
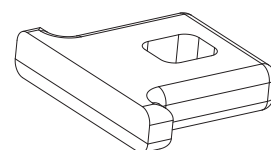


You will receive a small bag with eight pins and eight lock pieces. You simply insert the lock through the face of the leg, and push in the pin to hold the legs in place.

Pin



Lock



Once you have secured the first leg, repeat this method on all four.