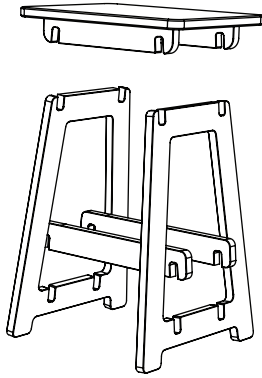


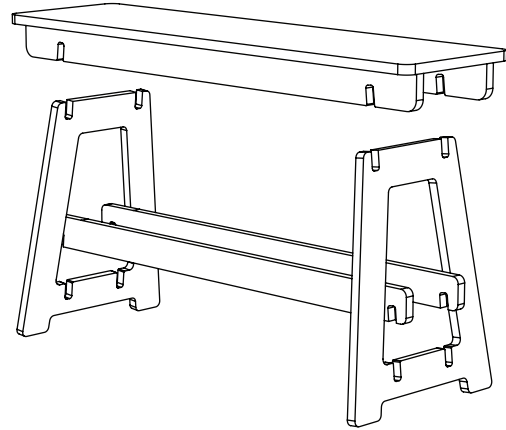
T Series Assembly

The Trestle Series all follow the same simple wood locking mechanism for assembly

T Stool



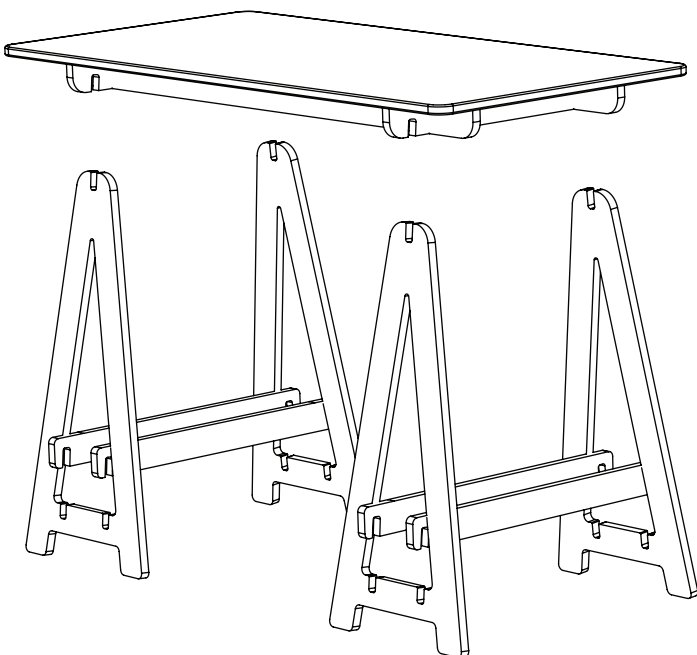
T Bench



1. Simply push the connection beams into place between the legs.

2. Now that the legs are stable, you push these into the Table/ Seat.

T Table



T Coffee

